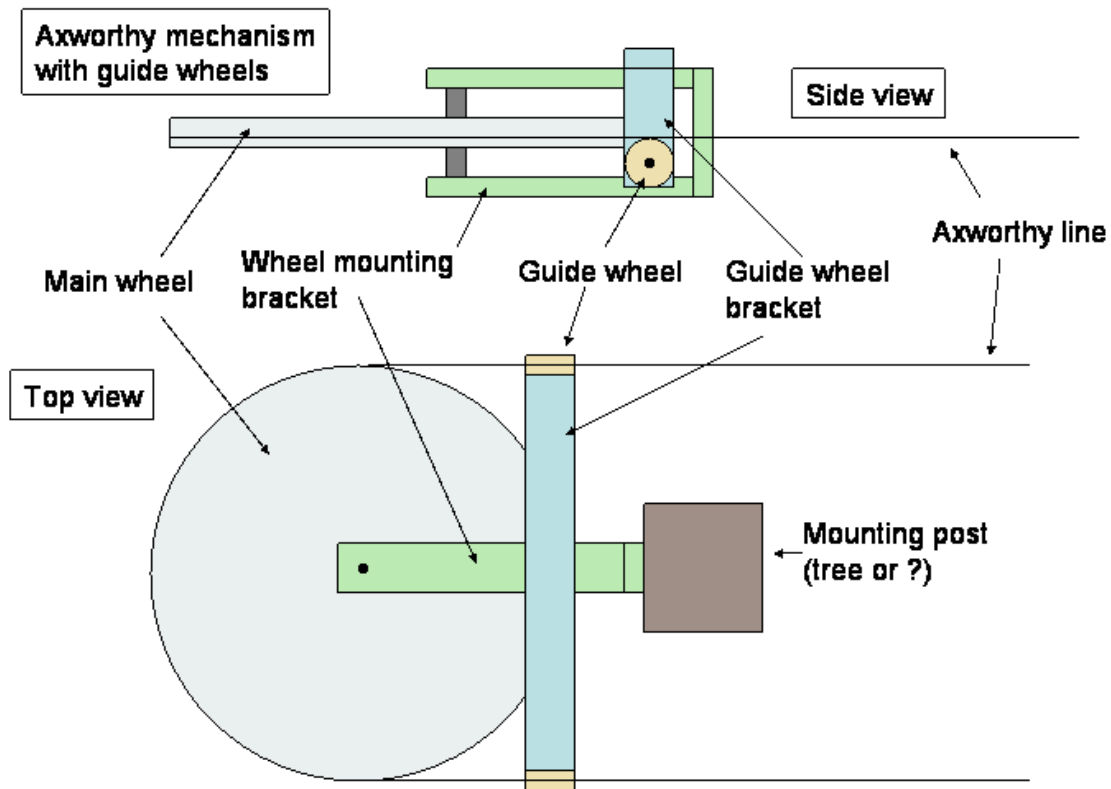


SCARY TERRY'S HALLOWEEN PAGES

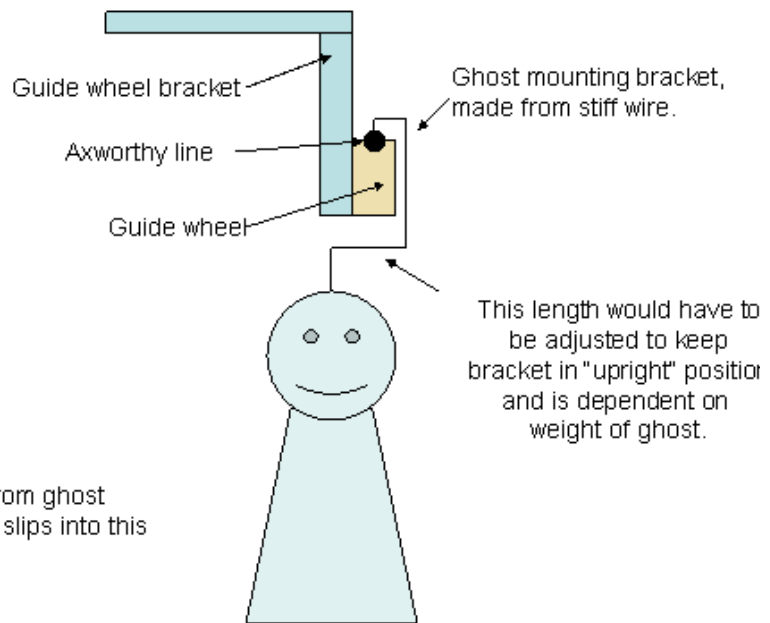
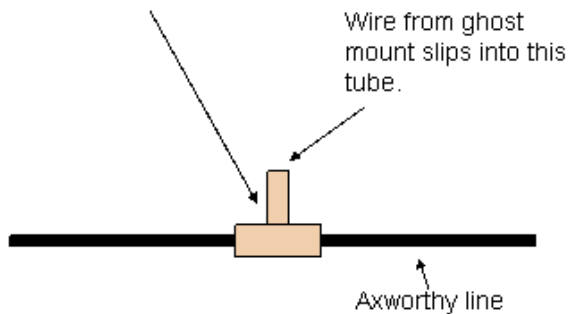
http://www.scary-terry.com/more_stuff/afgwheels/afgwheels.htm



Obtained from
Omarshauntedtrail.com

Ghost Mount

According to Scott Axworthy, the device for attaching the ghost mounting bracket to the Axworthy line is a "T" made of two pieces of brass tubing soldered together. The horizontal piece of tubing is about $\frac{3}{4}$ " long and of a diameter just large enough to fit over the Axworthy line. The vertical piece is also $\frac{3}{4}$ " long and is of a diameter to accommodate the wire from the ghost mounting bracket.



Obtained from
Omarshauntedtrail.com