

HauntMaven.com - Wolfstone's Haunted Halloween Site



http://wolfstone.halloweenhost.com/ColorOrgans/clomak_MakingColorOrgan.html

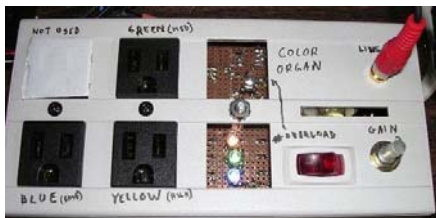
Making A Color Organ

Making a color organ from scratch isn't as inexpensive or easy as a commercial color organ or kit, but some folks like to do it anyway...



Tim Kutscha's Design

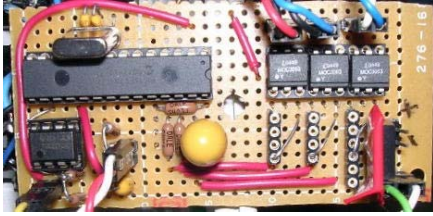
Wolfstone reader Tim Kutscha offered to share his color organ design [August 2005], which is operated via microcontroller.



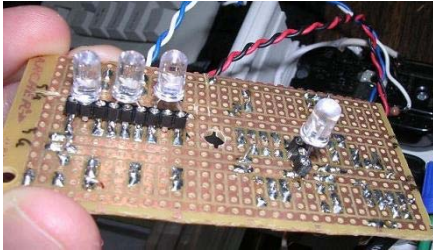
Here is Tim's completed unit.



Here is the back of the completed circuit.



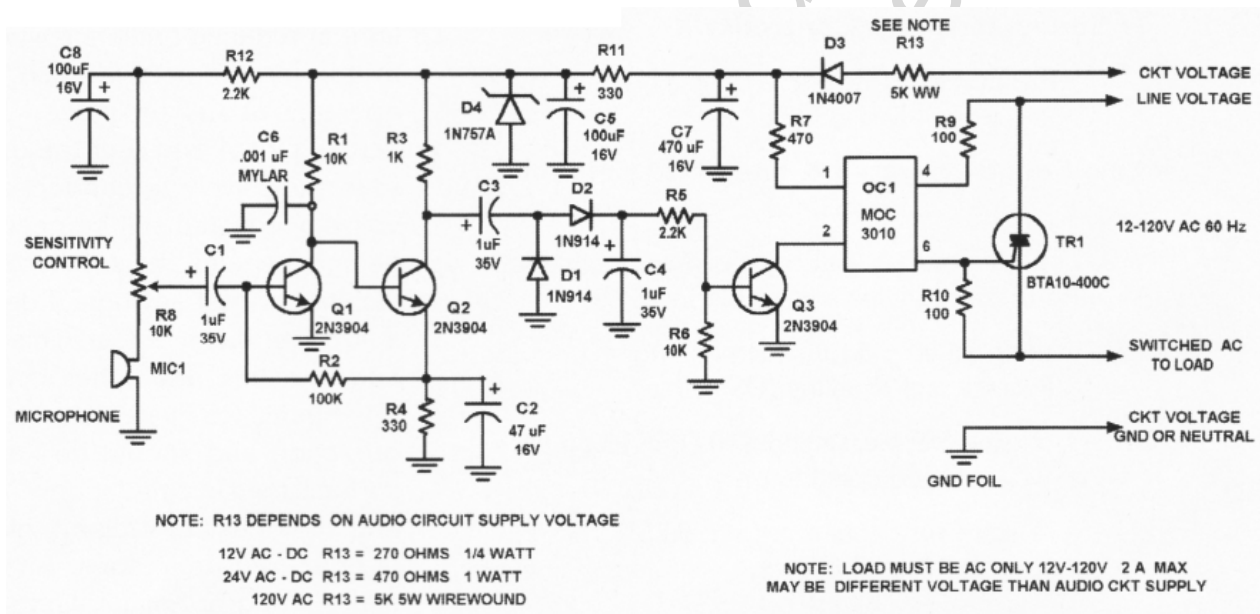
Top of the main board.



Back of the main board.

Sheets And Graf

Sheets and Graf contributed an article to Nuts & Volts, Sept 2003, "Lamp Controllers For Special Effects", pg 52. The article includes a circuit that makes a light flicker to sounds picked up with a microphone.



The project is available as a kit from [North Country Radio](http://www.northcountryradio.com)

This is the published schematic.